

DEBRIS CHUTE

THE PLASTIC

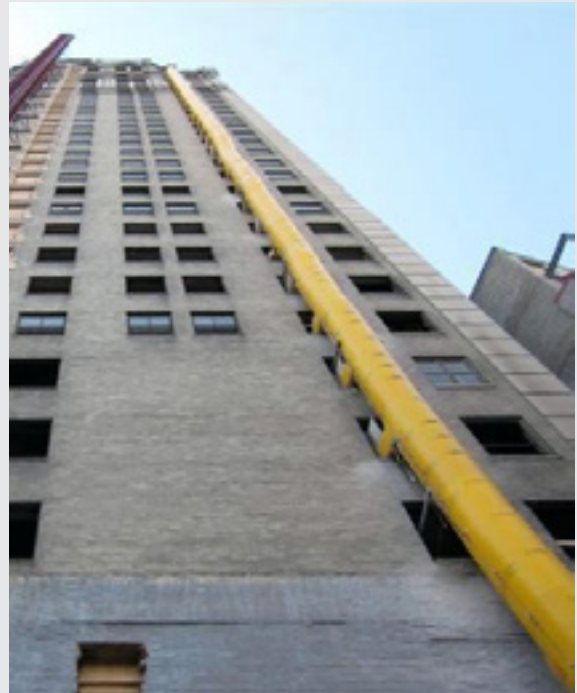
The durability and life of the chute depend on the quality of the plastic. Superchute® uses a high grade polyethylene that is extremely resistant to abrasion and temperature extremes.

The plastic is unaffected by sub-zero temperature as low as -156°F (-100°C) which explain why Alaskan contractors insist on using Superchute®.

To resist sunlight degradation, the plastic is UV treated.

PLASTIC COLOR

Any color you like, as long as it is yellow! Our brilliant yellow plastic is a visible, safety-minded color and does a great job of showing off your name plate.



SUPERCHUTE® SPREADER BAR

Use the Superchute® Spreader Bar to attach a length of chute to a hoist or crane cable.

Superchute® manufactures two Spreader Bars to meet your needs:

The Light Duty Spreader Bar has cables and features a working load limit of 1000 lb. (450 kg).
The Heavy Duty Spreader Bar has chains and features a working load limit of 2000 lb. (900 kg).

THE LIGHT DUTY SPREADER BAR



THE HEAVY DUTY SPREADER BAR



DEBRIS CHUTE

SUPERCHUTE® SECTION AND LINER WEIGHTS

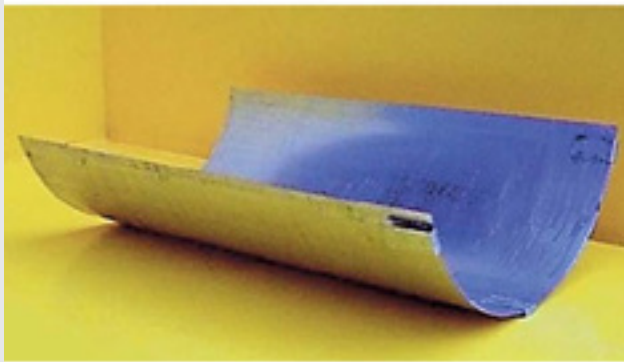
Before a chute is installed its total weight must be know. Knowing the weight of the chute enables the installer to choose a Chute Hoist, or similar, with sufficient load capacity.

Chute Specs		The Weight of Each Section in lb.						liners (in steel)
		Wraparounds Design			Welded Design			
Diameter	W all Gauge	Regular	Top Hopper	Door	Regular	Top Hopper	Door	
18"	5 mm	-	-	-	23	24	29*	23
23"	5 mm	30	30	40	27	29	36	32
27"	5 mm	34	41	47	32	34	41	37
30"	5 mm	39	41	50	36	39	47	40
30"	4 mm	31	-	-	27	-	-	40
30"	3.2 mm	28	-	-	-	-	-	40
33"	5 mm	43	48	75	-	40	50	48
36"	5 mm	46	55	64	-	46	57	53

* - signifies that no such section exists.

STEEL LINERS

Use Superchute® Steel Liners to protect heavy-wear areas in your chute system, for example:



- The last few sections curving into the container
- The back wall of a door section
- The back wall of a top hopper

Superchute® Liners feature:

- 14 gauge galvanized steel construction
- Brackets for easy attachment to the wall
- Two hand-holds
- Painted diameter specs.
- Stainless steel warning label

Liners are available for all six chute section diameters:

Chute Diameter	Weight of Liner
18"	23 lb.
23"	32 lb.
27"	37 lb.
30"	40 lb.
33"	48 lb.
36"	53 lb.

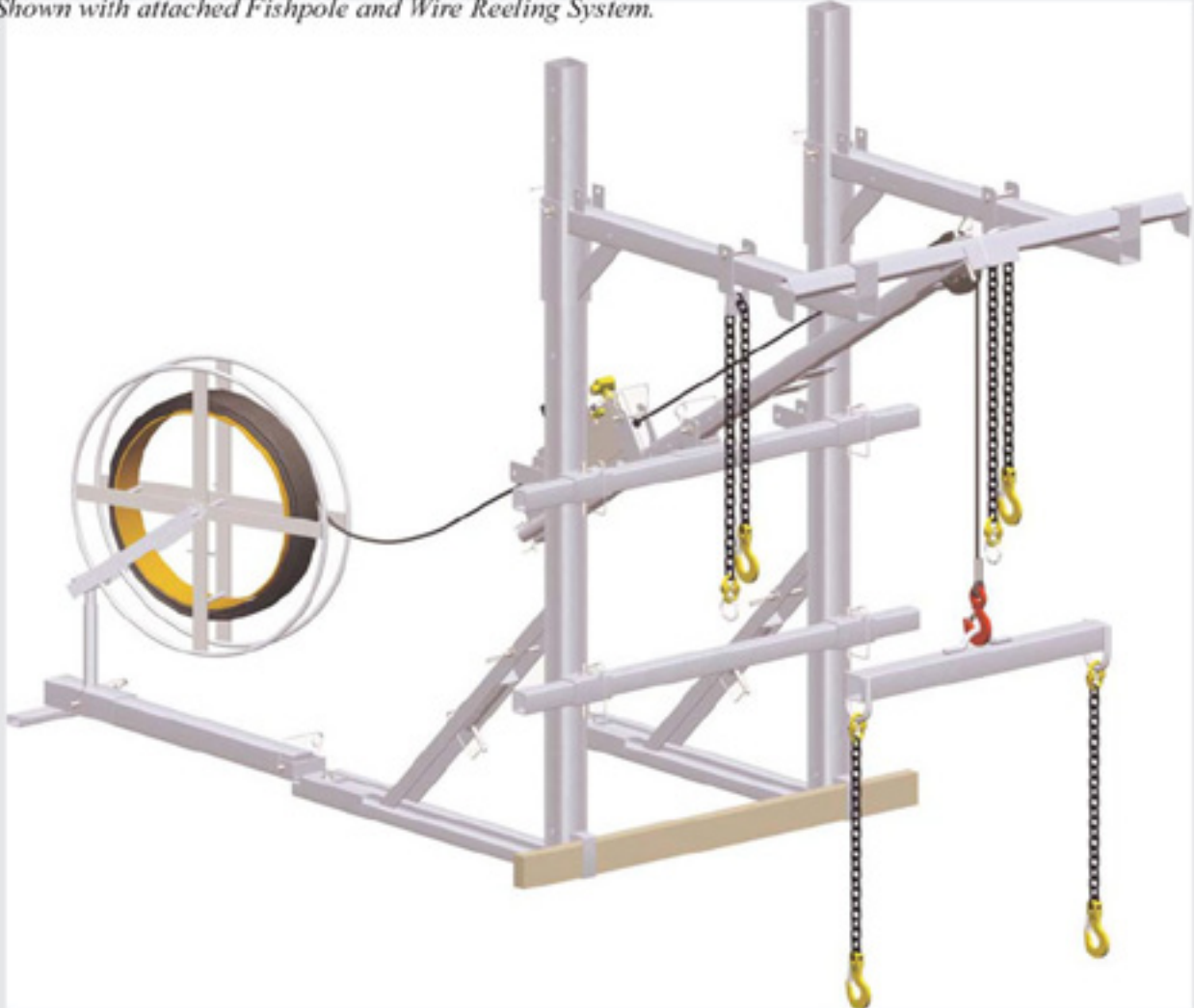


DEBRIS CHUTE

BOLT DOWN FRAMES

Model SC-750-bd

Shown with attached Fishpole and Wire Reeling System.



DEBRIS CHUTE

AN INTRODUCTION TO ...

Bolt Down Frames: SC-250-bd, SC-500-bd, SC-750-bd, SC-1000-bd & SC-1500-bd

The Superchute® Bolt Down Frame is a popular chute hoist that attaches to a concrete floor slab using 2 expansion anchor bolts (supplied). On jobs where drilling into the floor is not possible, the Frame can be secured using a Counterweight Conversion Kit.

Each Frame ships and stores as a neat, compact rectangular packet, and assembles in 5 minutes using only 6 locking pins. Built-in storage tubes hold the anchor bolts. There are no loose pieces.

Five Frame models are available. These offer a maximum chute load capacity of 250 lb, 500 lb, 750 lb, 1000 lb or 1500 lb. All feature a 3:1 safety factor. The length of chute that a single Frame can lift, support, and lower depends on the diameter of chute used (larger diameter chute sections weigh more).

On jobs where a taller chute is needed, Frames can be piggybacked on successive floors to achieve a maximum chute height of 200 ft.

Raise and lower the chute using a crane, boom lift, or the removable Fishpole. A single Fishpole can serve many frames of the same model.

The SC-250-bd and SC-500-bd Frames share the same Fishpoles as do the SC-750-bd and SC-1000-bd (3 Fishpole models are available: one has a drum winch with 90' of cable, the other two have a traction winch for cases where a longer cable is needed)



**WHEN PROPERLY USED. MEETS OSHA'S
 FALL PROTECTION REQUIREMENTS**

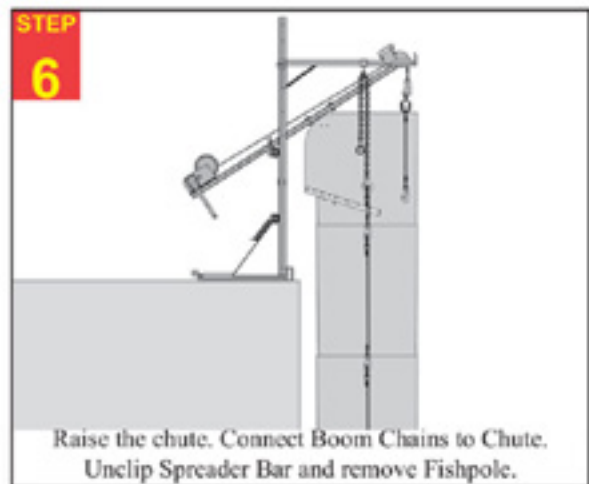
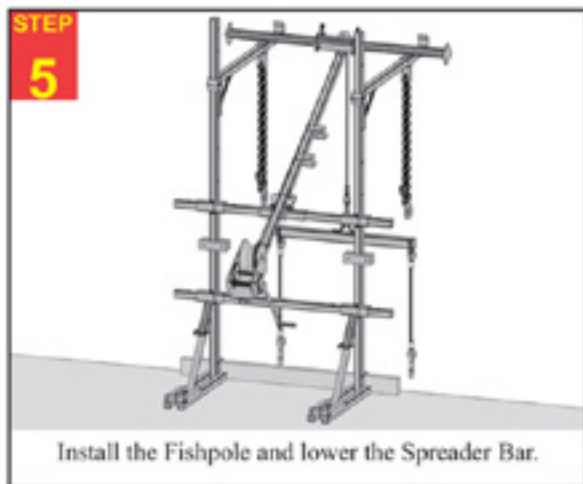
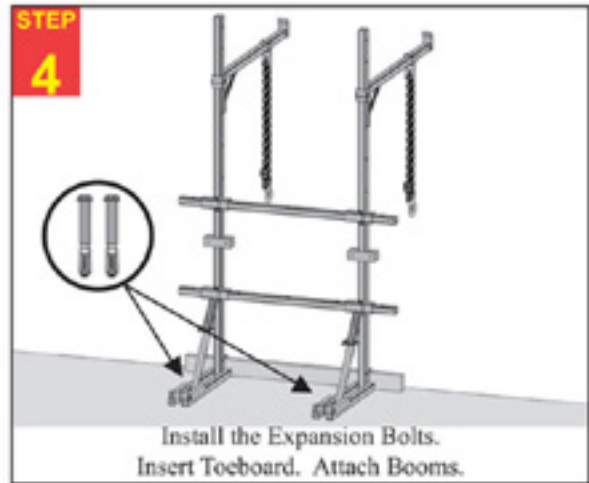
**THE ADEQUACY
 OF THE SUPPORTING
 STRUCTURE NEED TO
 BE VERIFIED BY A
 STRUCTURAL
 ENGINEER**



DEBRIS CHUTE

INSTALLATION OVERVIEW

SC-250-BD



DEBRIS CHUTE

DIMENSIONS OF THE BOLT DOWN FRAMES

Secured using Expansion Anchor Bolts (Top View)

Model SC-250-bd

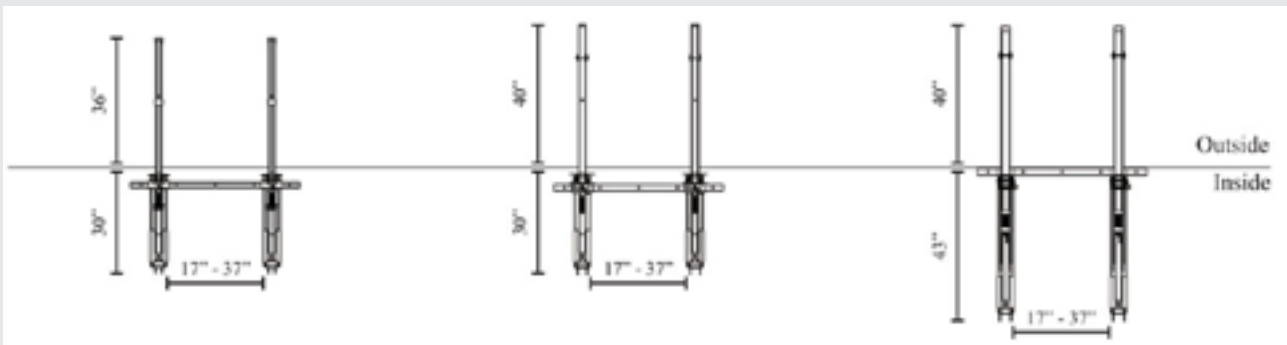
Frame Weight: 110 lb.
 Fishpole Weight: 70 lb.
 Mast Height: 6'6"

Model SC-500-bd

Frame Weight: 190 lb.
 Fishpole Weight: 70 lb.
 Mast Height: 6'6"

Model SC-750-bd

Frame Weight: 210 lb.
 Fishpole Weight: 95 lb.
 Mast Height: 6'6"

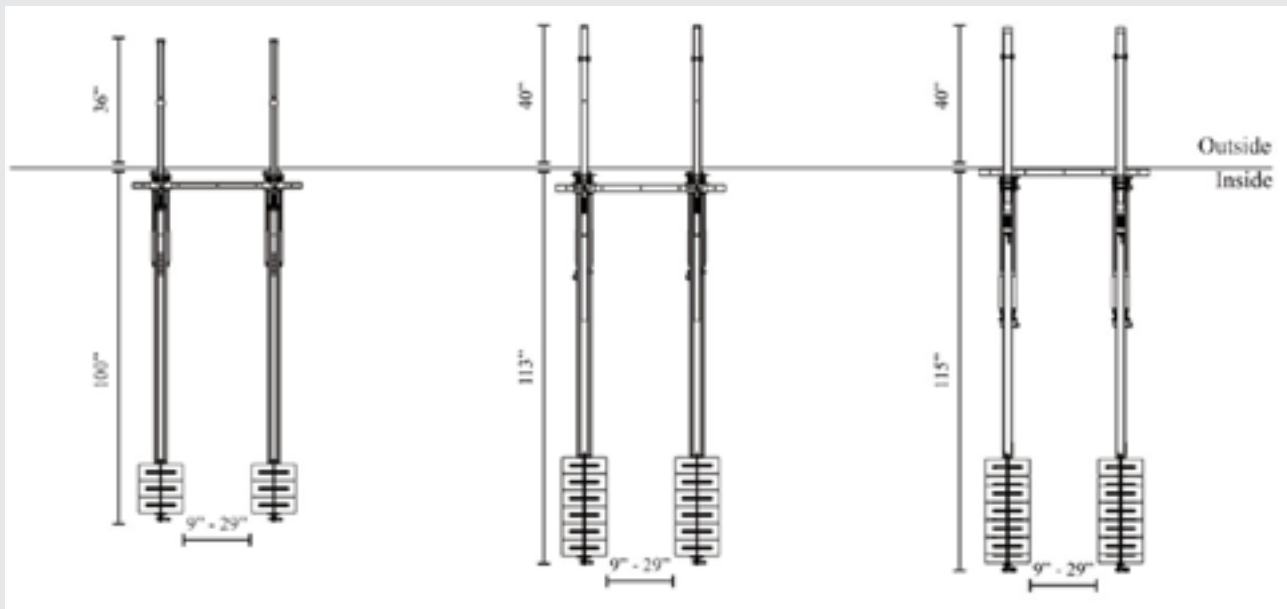


Secured using Counterweights (Top View)

Frame Weight: 190 lb.
 Counterweights:: 330 lb.

Frame Weight: 300 lb.
 Counterweights:: 660 lb.

Frame Weight: 370 lb.
 Counterweights:: 1100 lb.



DEBRIS CHUTE

DIMENSIONS OF THE BOLT DOWN FRAMES

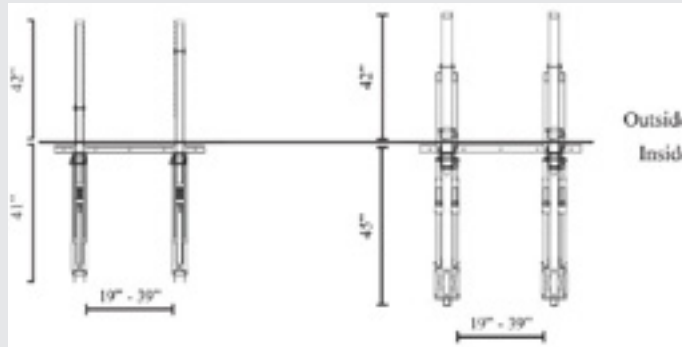
Secured using Expansion Anchor Bolts (Top View)

Model SC-1000-bd

Frame Weight: 275 lb.
 Fishpole Weight: 115 lb.
 Mast Height: 6'6"

Model SC-1500-bd

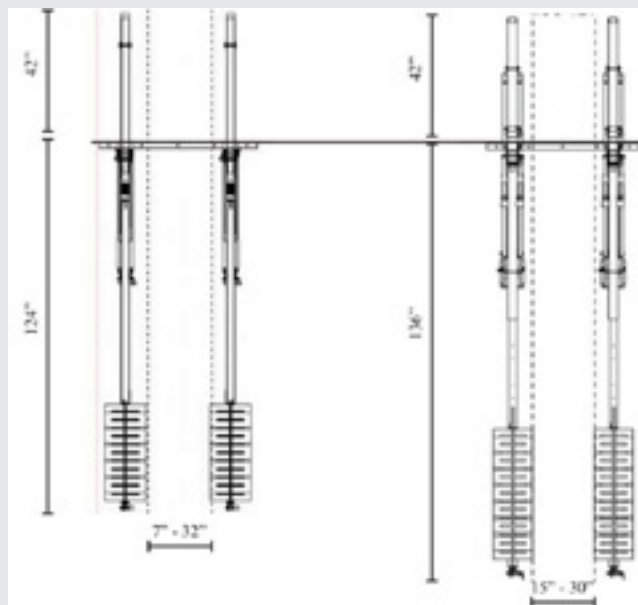
Frame Weight: 300 lb.
 Fishpole Weight: 30 lb.
 Mast Height: 6'6"



Secured using Counterweights (Top View)

Frame Weight: 415 lb.
 Counterweights: 1210 lb.

Frame Weight: 500 lb.
 Counterweights: 1650 lb.



LOCATION

